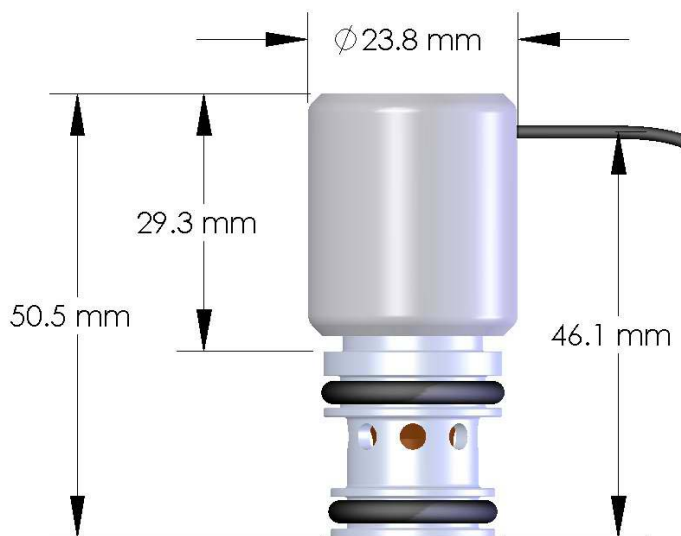


Fuel Injector

Gs Series

The AFS Gs series injector offers cost effective, precision metering of gaseous fuels, coupling fast response and high flow to allow the use of fewer injectors per engine. Other key advantages include inherent self-cleaning design and low-wear components, which provide exceptional service life.



Key Features

- Compatible for use with gaseous hydrocarbon fuels such as: CNG/LCNG/LPG
- Usable in port or throttle body injection configurations
- Designed to operate in the temperature range of -40 °C to 120 °C
- Compatible with 12 VDC and 24 VDC systems
- Injector response time less than 2 ms with 8:2 Amp peak and hold driver
- Custom polymer sealing surface provides exceptional sealing and reduced wear in dry gas applications
- Custom flow calibrations available
- Cartridge style design allows for easy drop-in installation
- Side feed-bottom discharge allows for simpler port design and better tolerance to gas contamination
- Custom Hydrogen version is available



Alternative Fuel Systems (2004) Inc.

Unit 1, 4321 - 14th Street NE, Calgary, Alberta, Canada T2E 7A9

Phone: +1 (403) 262-1833 Fax: +1 (403) 237-7441 E-mail: sales@afsglobal.com Web: www.afsglobal.com